

# VEDA SERIES II

## VD-15M TWO-WAY STAGE MONITOR SPEAKER

### DESCRIPTIONS

The Veda Series II : VD-15M from VL Audio is a passive stage monitor designed to deliver a highly versatile solution, from fixed installations to the popular portable PA applications. Its rotatable horn with 90° x 60° dispersion means the enclosure can also be used as a PA system.

### TECHNICAL SPECIFICATION

#### SPECIFICATIONS

Frequency Response(-3dB)	44Hz - 16kHz
Frequency Range(-6dB)	55Hz - 18.5kHz
Power Handling	450W
Max. Calculated SPL	132dB
Nominal Directivity	90°H x 60°V
Crossover Point	1.8kHz

#### TRANSDUCER

LF Transducer	15" Transducer, 3" Voice Coil
HF Transducer	1.7" Driver

#### INPUT/OUTPUT SECTION

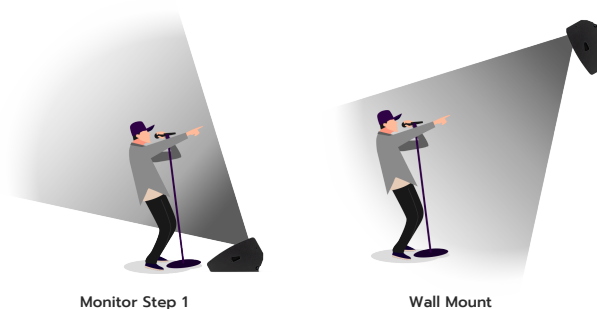
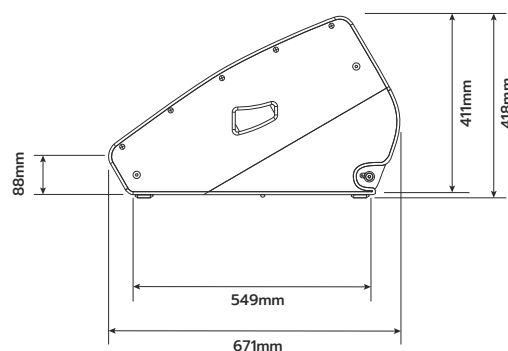
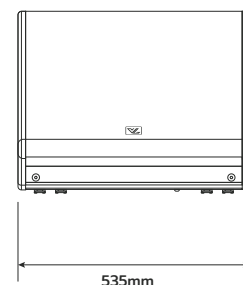
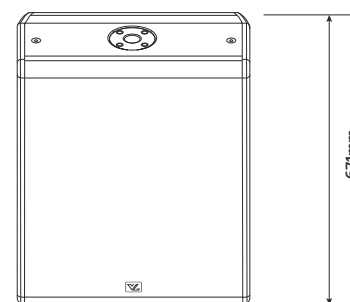
Input Connector	V-Connect VC-S4FM(1+,1-)
Output Connector	V-Connect VC-S4FM(1+,1-)

#### PHYSICAL SPECIFICATIONS

Cabinet/Case Material	15mm Plywood with water based textured coatings
Handles	2 Handle
Pole Mount/Cap	Yes
Grille	Steel 1.4mm
Color	Black

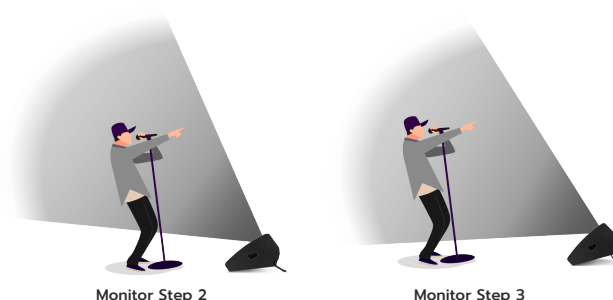
#### SIZE

Height	418mm
Width	535mm
Depth	671mm
Weight	26kg



Monitor Step 1

Wall Mount



Monitor Step 2

Monitor Step 3