



V-BOX MARK-II

STEREO PASSIVE DIRECT BOX



USER MANAUL

WWW.VL.CO.TH

INTRODUCTION

DESCRIPTIONS

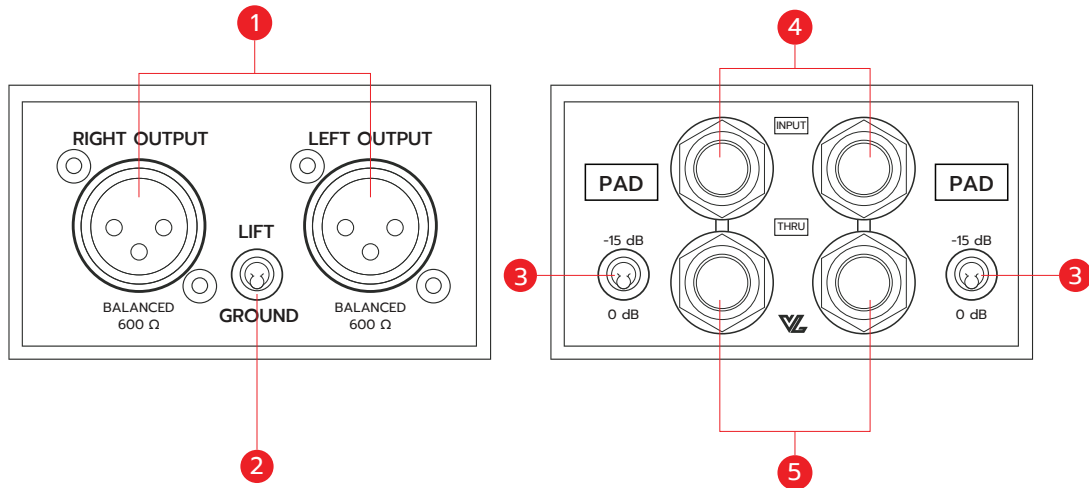
The V-Box Mark-II Stereo Passive Direct Box Is a high performance passive direct box for live concert touring and professional studio recording applications, featuring a VL transformer for exceptional audio performance.

FEATURE

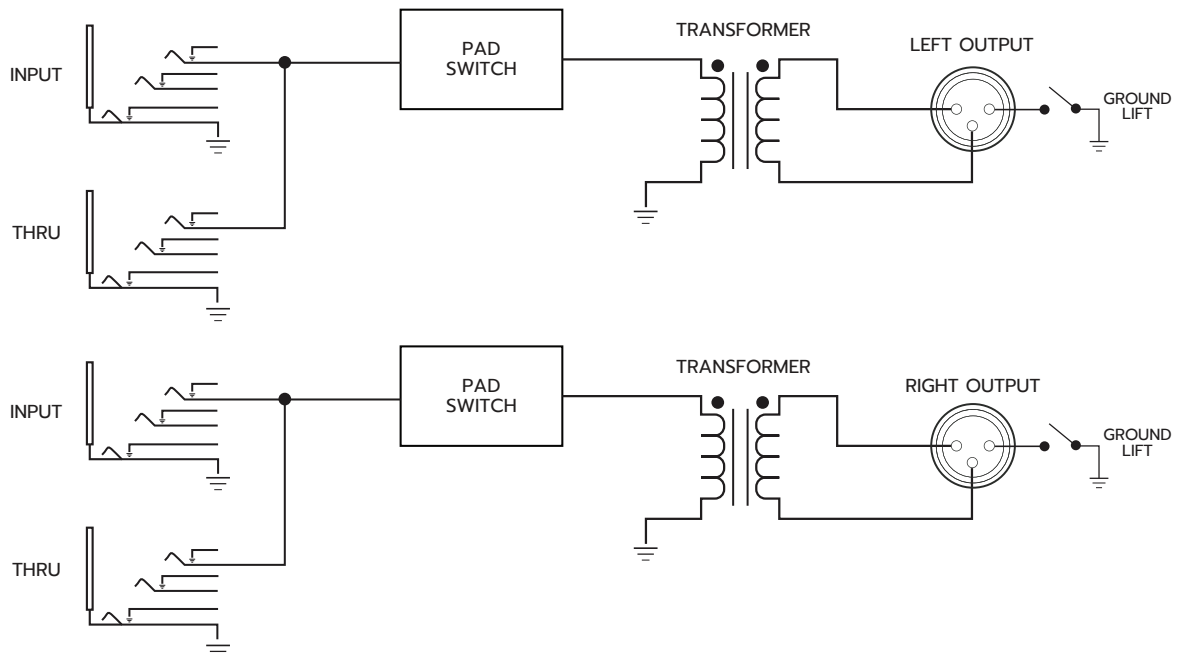
- Stereo passive direct box designed for active instruments.
- Eliminates hum and buzz from ground loops.
- VL Transformers provide exceptionally linear response.

OVERVIEW

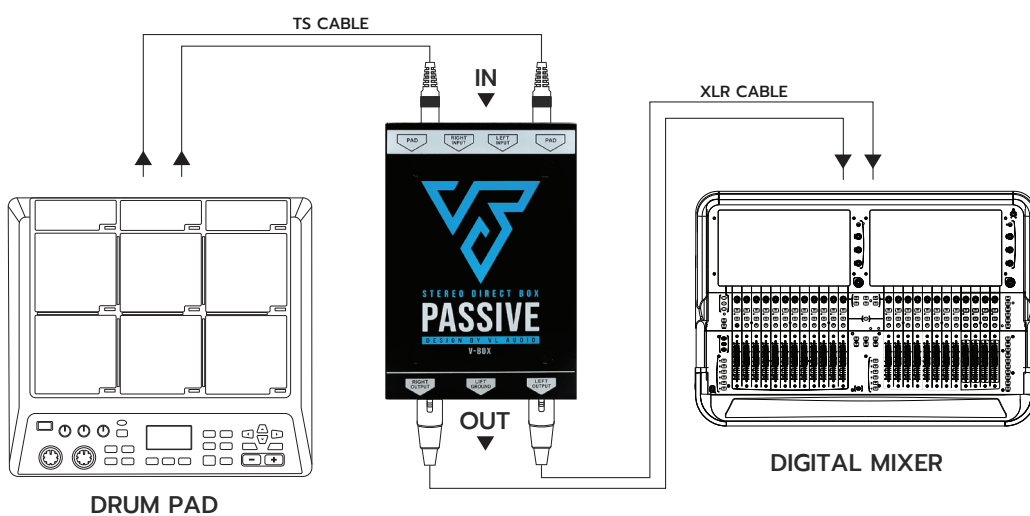
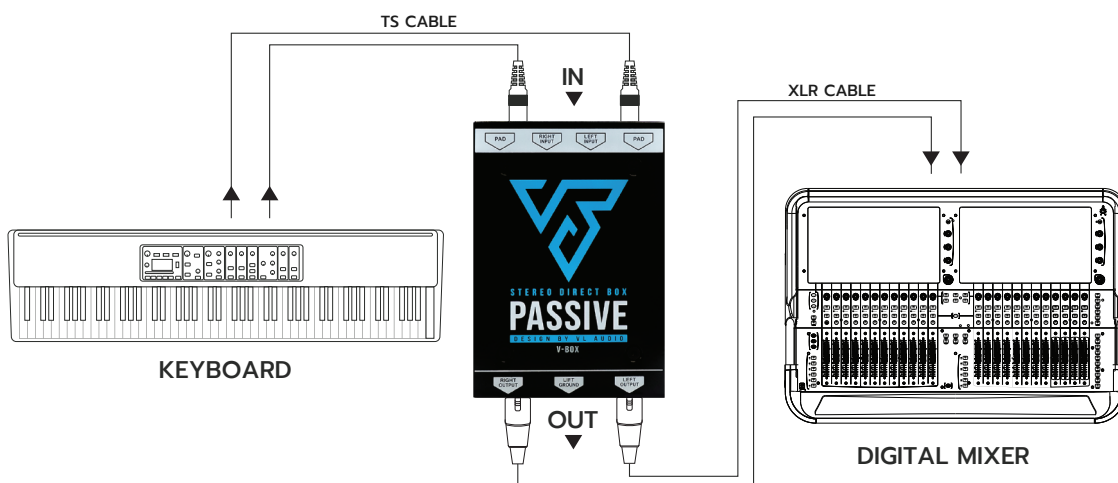
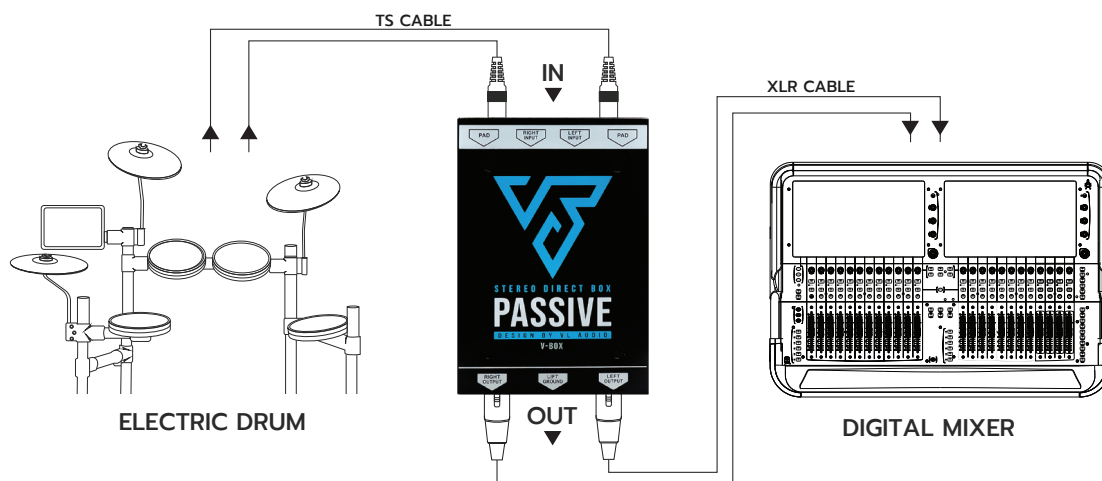
1. **Line-Level Outputs** Balanced output, Male XLR Connectors.
2. **Ground/Lift Switch** Disconnects XLR Pin-1 on both INPUT-1 and INPUT-2.
3. **Pad** Reduces The input sensitivity for active basses and high-output keyboards.
4. **1/4" Input** Instruments connection to The V-Box Mark-II Stereo Passive Direct Box.
5. **1/4" Thru** Instruments thru-put to an amplifier.



BLOCK DIAGRAM



APPLICATION



TECHNICAL SPECIFICATION

SPECIFICATIONS

| | |
|---------------------------|---------------------------------|
| Audio circuit type | Passive, Transformer based |
| Transformer | VL Transformer |
| Number of Channels | Stereo(Dual Mono) |
| Frequency response | 20Hz-20kHz |
| Dynamic range | 135dB |
| Total harmonic distortion | 0.002% @1k, +4dBu |
| Phase deviation | -0.17° @20Hz, -0.56° @100Hz |
| Input impedance | 140kΩ Unbalanced |
| Output impedance | 600Ω Balanced |
| Maximum input | +21dBu @20Hz - 20kHz (With Pad) |

FEATURES

| | |
|-------------------|--------------------|
| Ground lift | Yes |
| Input connectors | 4 TS 1/4" (2 Thru) |
| Output connectors | 2 XLR Male outputs |

GENERAL

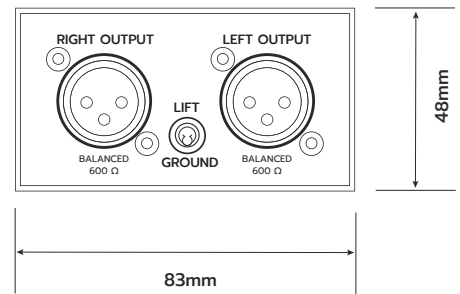
| | |
|------------|-------------------------------|
| Conditions | For use in dry locations only |
| Warranty | Life time |

SIZE

| | |
|--------|--------|
| Height | 48mm |
| Width | 83mm |
| Depth | 120mm |
| Weight | 0.38kg |

SHIPPING INFORMATION

| | |
|----------------|--------|
| Package height | 54mm |
| Package width | 98mm |
| Package depth | 135mm |
| Package weight | 0.47kg |



STEREO PASSIVE DIMENSIONS